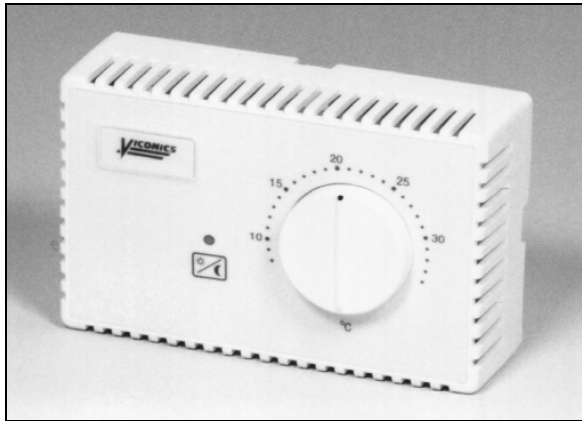




*Micro-STAT*®

# T510 T560



## APPLICATIONS

- VAV box control
- Proportional room electric heating control
- Proportional room hot water heating control
- Proportional room cold water cooling control
- Air conditioning control

## ADVANCED DESIGN AND PI CONTROL

Advanced microcomputer electronics and PI control algorithms provides precise temperature control and eliminates wasted heating energy caused by the typical On-Off cycling in conventional thermostats. As a result the room occupant is able to reduce the setpoint or desired temperature to the lowest comfortable setting. The result is energy savings ranges from 5% to 10%.

## DAY-NIGHT MODE

A night setback mode, initiated by a remote timer or computer contact, provides energy savings during unoccupied periods of up to 10 %, without sacrificing comfort in occupied rooms. A flashing LED indicator warns a person in an occupied room that the thermostat is in Night mode. The occupant may override this condition locally for 4 hours by pressing the switch on the thermostat.

## POWER LIMIT INPUT

The Power Limit Input feature provides additional energy savings by reducing the building PEAK DEMAND during mild conditions in the temperature recovery phase from night setback mode via a common 0 to 10 VDC signal from an outdoor temperature sensor or from an energy management system.

## REPROGRAMMABLE

Each thermostat is computer calibrated and factory programmed to the ordered specification. However, over 10 control parameters ( such as heating/cooling mode, stage differential, night set-back etc. ) may be changed in the field with programming tool without having to remove the thermostat cover. The C263 also doubles as a diagnostic tool and indicates the status of all the inputs and outputs to each stat, and will reduce troubleshooting time by quickly identifying the specific problem.

## ELECTRONIC THERMOSTAT:

- TRI-STATE FLOATING DAMPER MOTOR OUTPUT
- TWO MORE STAGES
- POWER LIMIT
- DAY-NIGHT MODE( T560 ONLY )

The model T510 and T560 are part of Viconics' Micro-Stat Series low voltage RHVAC room temperature and humidity controls line.

## CONTROL OUTPUTS FOR ALL APPLICATIONS

The thermostats are available with various outputs to drive:

- Relays
- Contactors
- Solenoids
- Valves
- Motors
- SSR's
- SCR Power Controllers
- Three position motor

## SENSORS

Each thermostat can be either room or duct mounted with local or remote sensors, and can be selected by an internal jumper.

## COVERS

The thermostats are available with 4 covers options in either °C and °F. Thermostat cover plugs in to base for easy wiring and service. The base fits onto a standard electrical box. The User adjustable front models feature internally selectable minimum and maximum setpoint knob stops.

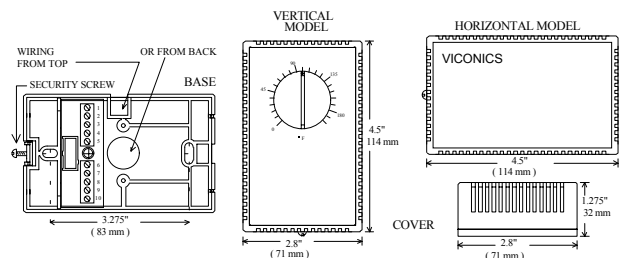
## HIGH COOLING SIGNAL OUTPUT

A optional 0 to 10 Vdc cooling voltage output can be wired to other thermostats and used as a signal to a voltage relay to initiate cooling demand.

## SPECIFICATIONS

- Operating Conditions: 0 °C to 50 °C ( 32 °F to 122 °F )  
0% to 95% R.H. non-condensing
- Sensor: Local 47 K NTC thermistor
- Resolution: ± 0.1 °C ( ± 0.2 °F )
- Control accuracy: ± 0.2 °C ( ± 0.4 °F ) for low ranges  
± 0.9 °C ( ± 1.8 °F ) for high ranges  
( calibrated )
- Ranges: 10 °C to 32 °C ( 50 °F to 90 °F )  
-18 °C to 82 °C ( 0 °F to 180 °F )
- Outputs: Isolated Triac: 30 Vac at ½ A max.  
0 to 10 Vdc into 2KΩ resistance min.  
0 / 5 Vdc at 20 mA max. for both outputs.
- Power: 24 Vac -15%, +10% 50/60 Hz; 2 VA

## DIMENSIONS



Specifications and equipment are subject to change without prior notice.

T510 - AB - CD - EF - GH ( without day-night mode )  
 T560 - AB - CD - EF - GH ( with day-night mode )

A	Output no. 1 ( controlled device )	Type
0	Not installed	
5	"SSR" with 3-32 Vdc input	Pulsed 0/5 Vdc
6	0 to 10 Vdc actuator, voltage relay or "SCR" *	0 to 10 Vdc
7	0 to 10 Vdc high cooling signal for Vdc relay	Higher signal

B	Output no. 2 ( controlled device )	Type
0	Not installed	
1	Relay, thermal relay, two position motor	Isolated Triac
2	Normally open thermal valve	Isolated Triac
3	Normally close thermal valve	Isolated Triac
4	"SSR" with 24 Vac input	Isolated Triac
5	"SSR" with 3-32 Vdc input	Pulsed 0/5 Vdc

C	Output no. 1 and 2 control mode	
1	Heating, reverse acting, ( RA )	* Standard
2	Cooling, direct acting, ( DA )	
3	Heating, RA ( no. 1 ) and cooling, DA ( no. 2 )	
4	Cooling, DA ( no. 1 ) and heating, RA ( no. 2 )	

D	Main control sensor location	
1	Room, inside thermostat, or ( duct return air** )	* Standard
2	Duct supply air **	

\*\* Order with S60 or S70 sensor

E	Setpoint adjustment	
1	User adjustable	* Standard
2	Blind cover	

F	Scale	
1	10 °C to 32 °C	* Standard
2	50 °F to 90 °F	
3	-18 °C to 82 °C	Δ
4	0 °F to 180 °F	Δ

G	Output no. 3	
1	Normally cooling, ( DA )	* Standard
2	Normally heating, ( RA )	

H	Maximum running time of tri-state floating actuator
1	1 minute
2	2 minutes
...	etc.
9	9 minutes

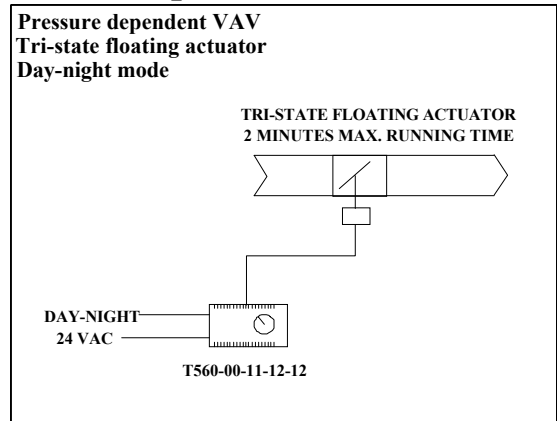
Example: T560 - 75 - 41 - 12 - 12  
 One higher signal cooling output and one "SSR" 3-32 volts heating output.  
 Main sensor located inside the room. Setpoint adjustable by user.  
 Scale 50 °F to 90 °F. The output no. 3 is a damper with a travel time of 2 minutes used in cooling mode.  
 Δ Note: These models have a vertical cover.  
 Note: Order remote sensor separately.

**WIRING** \_\_\_\_\_

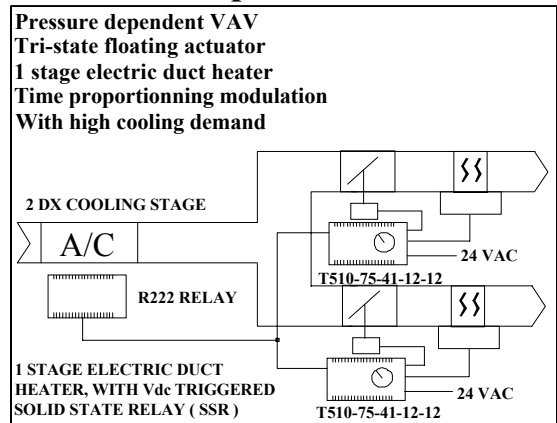
For complete technical information on wiring, commissioning and servicing, please refer to the T510 / T560 service manual.

**COVERS ALL YOUR THERMOSTATS NEEDS...**

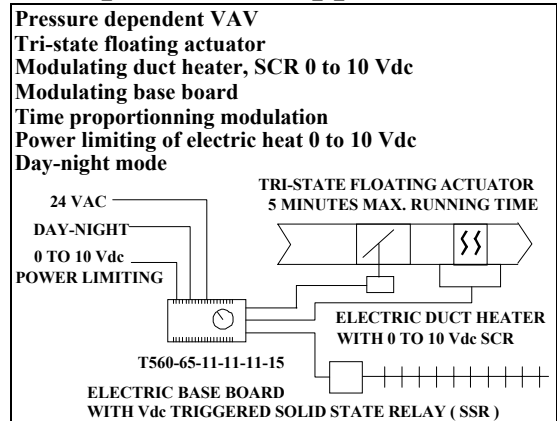
**From simple...**



**To more complicated...**



**To sophisticated applications !**



**Represented by:**