



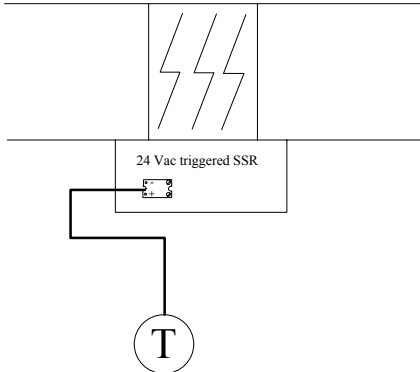
C1015 & C1016

O.E.M. Electronic Thermostat For Zone Modulating Electric Heat



APPLICATIONS

Modulating Electric Duct Heater

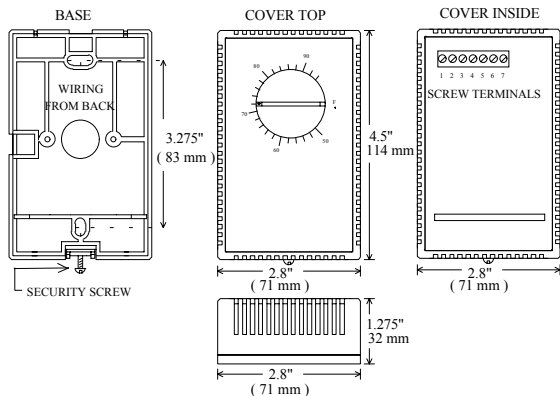


- Modulating room thermostat for electric heating devices
- Thermostat for single stage electric duct heater
- Thermostat for electric base board strip

ADVANCED DESIGN AND PI CONTROL

Advanced PI control thermostats provides precise temperature control and eliminates wasted energy caused by the typical On / Off cycling in conventional thermostats. Thus the room occupant is able to reduce the thermostat setpoint to the lowest comfortable setting. The result is energy savings ranging from 5% to 10%.

DIMENSIONS



Specifications and equipment are subject to change without prior notice

COVERS

Factory standard scale is 50 °F to 90 °F for vertical mounting. °F & °C scales are available on special order for horizontal or vertical mounting. The thermostat and the terminals are an integral part of the cover. The cover hooks onto the base for easy service and is locked in place using a security screw.

DAY-NIGHT MODE INPUT (C1016-01 ONLY)

The C1016-01 has a day / night input and an override button and night mode led mounted on the thermostat cover. The night mode, initiated by a remote timer or computer contact, provides energy savings during unoccupied periods of up to 10 %, without sacrificing comfort in occupied rooms. A flashing LED indicator warns an person in an occupied room that the thermostat is in Night mode. The occupant may override this condition locally for 2.5 hours by pressing the button on the thermostat cover.

OUTPUT FOR ELECTRIC HEAT MODULATION

The thermostats control the room temperature by modulating directly 24 Vac triggered solid state relays (SSR) using a time proportioning control algorithm on a 1 second time cycle.

Ex.:

PI demand	Time on	Time off	Total cycle
50 %	½ sec.	½ sec.	1 sec.
25 %	¼ sec.	¾ sec.	1 sec.

This time proportioning output cannot be used on regular mechanical relays or contactors.

SPECIFICATIONS

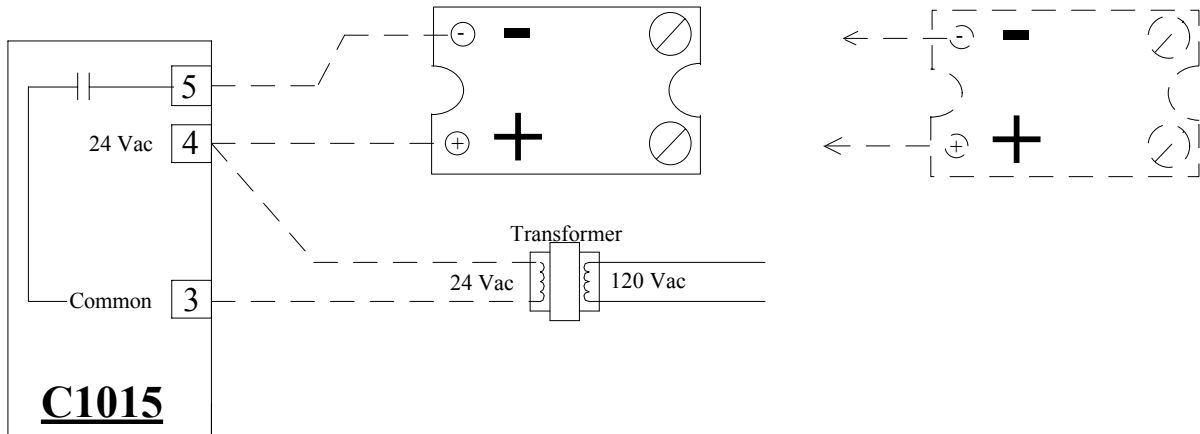
- Operating Conditions: 0 °C to 50 °C (32 °F to 122 °F)
- 0% to 95% R.H. non-condensing
- Sensor: Local 47 K NTC thermistor
- Resolution: ± 0.1 °C (± 0.2 °F)
- Control accuracy (calibrated): ± 0.2 °C (± 0.4 °F)
- Ranges: 50 °F to 90 °F Standard (10 °C to 32 °C) Optional
- Triac output: Triac: 30 Vac at ½ A max.
- Power: 24 VAC -15%, +10% 50/60 Hz; 2 VA

HOW TO ORDER

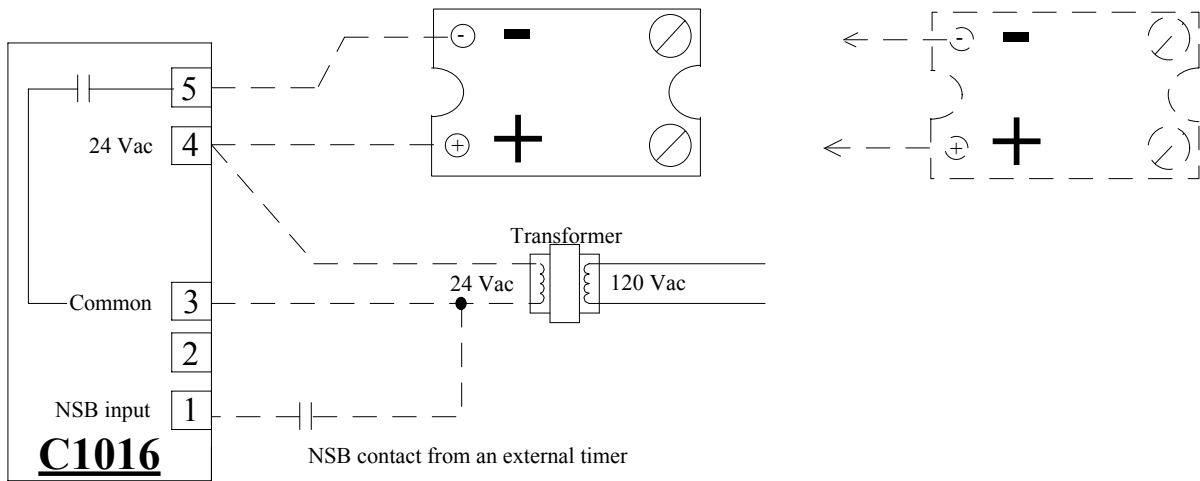
Thermostat	C1015	C1016
24 Vac pulsed output for 24 Vac triggered SSR	●	●
Night set back input and override button		●

C1015 & C1016 WIRING

24 Vac triggered SSR Up to 10 can be wired in parallel



24 Vac triggered SSR Up to 10 can be wired in parallel



C1016 WIRING FOR MULTIPLE THERMOSTAT WITH 1 NSB CONTACT

