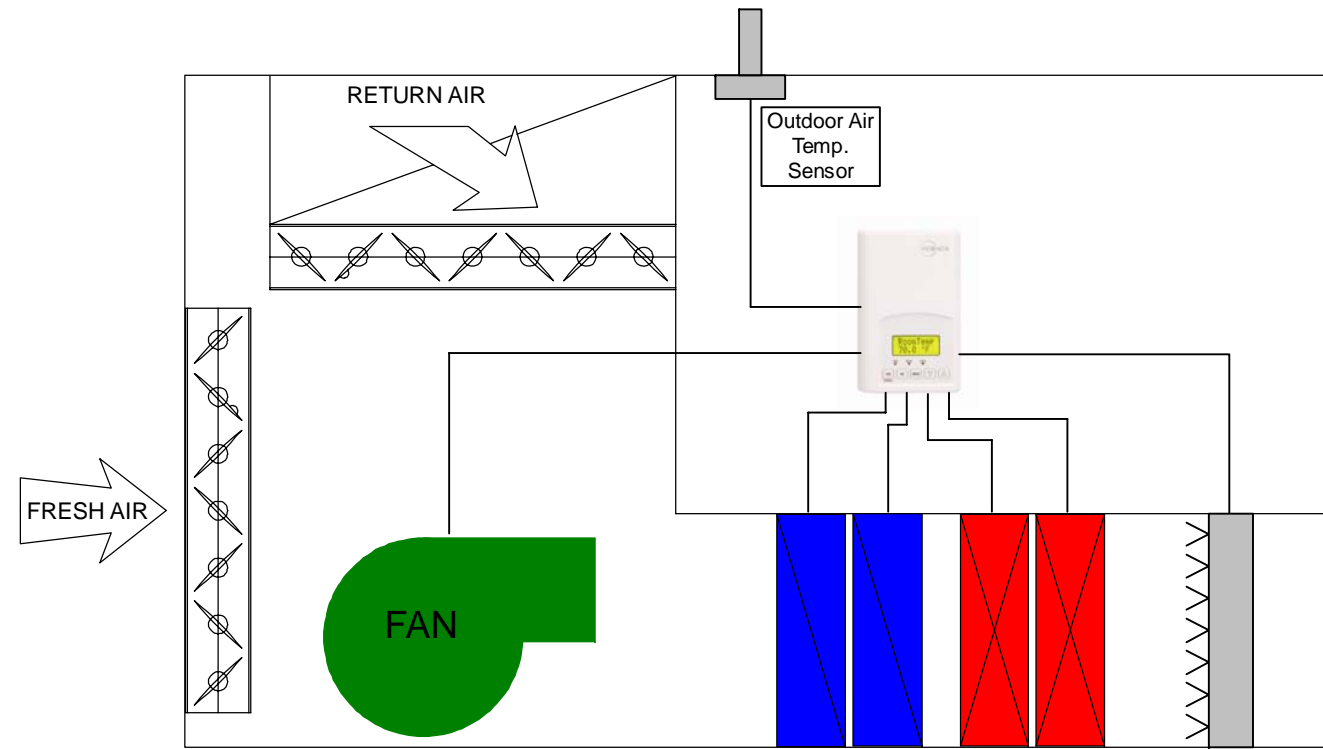




VT7657B1000 Application: Large Single Zone control: Programmable occupancy schedule with 2 stages of heating, 2 stages of cooling and humidification.

Application Examples:

- Theaters
- Cinemas
- Warehouses
- Concert Halls
- Factories
- Dining Halls
- Auditoriums
- Etc...



Bill Of materials

Thermostat: VT7656B1000

Outdoor sensor: S2020E1000

Occupied Mode:

- The setpoints will revert to those defined by occupied cool and heat.
- The progressive recovery function will bring the room to the occupied temperature at the beginning of the occupied period.

Unoccupied Mode:

- Setpoints will revert to those defined by unoccupied heat and cool.

Occupied Override Mode:

- The system will revert to occupied mode for the duration determined by the "ToccTime" parameter.

On a call for Heat:

- The first stage of heating will be enabled and the second stage will only be activated if the first can not maintain room temperature.

On a call for Cool:

- The first stage of cooling will be enabled and the second stage will only be activated if the first stage can not maintain room temperature.

On a call for humidification:

- The humidification proportional output (HUM) will be energized to activate the humidifier.

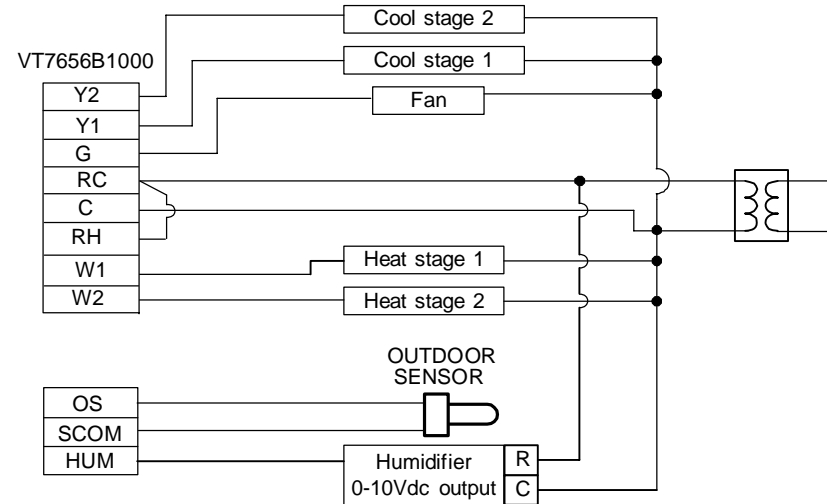
Fan Mode:

- ON:** Fan remains on at all times.
- Auto:** Fan turns on a demand for heating, cooling or humidification.
- Smart:** In occupied mode the fan is in ON mode, in unoccupied mode the fan is in Auto mode.

To Enter Configuration Menu Press and Hold Menu Key for 8 Seconds

User Parameter Name	Local settings
Occupied and Unoccupied setpoints	As per user
Humidity Setpoints	As per user
System Mode	As per user: Off, auto, heat, cool (auto set as factory default)
Fan Mode	As per user: On, Auto, Smart (smart set as default for programmable model)
Schedule	As per user
Configuration Parameter Name	
%RH disp	
DI	None
Lockout	As per user: (see manual for details) set to "0" for full access
pwr del	10 seconds is factory set, range is: 10 to 120 seconds
Frost pr	ON
Heat max	90 °F (32 °C) is factory set, range is: 40 to 90 °F (4.5 to 32.0 °C)
Cool min	54 °F (12 °C) is factory set, range is: 54 to 100 °F (12.0 to 37.5 °C)
anticycle	2 minutes is factory set range is: 0,1,2,3,4 & 5 minutes
Heat cph	4 C.P.H is factory set, range is: 3, 4, 5, 6,7 & 8 C.P.H.
Cool cph	4 C.P.H. is factory set, range is: 3 or 4 C.P.H.
deadband	2.0 °F (1.1 °C) is factory set, range is: 2, 3 or 4 °F (1.0 to 2.0 °C)
fan cont	ON, Auto or Smart (see manual for details)
Fan del	OFF
Com Addr	Found on BACnet models only
ToccTime	3 hours is factory default, range is: 0 to 12 in one hour increments
cal RS	0.0 °F or °C
cal OS	0.0 °F or °C
H stage	2 stages
C stage	2 stages
H lock	120 °F (49 °C) is factory default, range is: -15 °F up to 120 °F (-26 °C up to 49 °C)
C lock	-40 °F (-40 °C) is factory default, range is: -40 °F up to 95 °F (-40 °C up to 35 °C)
2/4event	2 events is factory default, can also be set to 4 event
Aux cont	N.O. normally open
Prog rec	ON
RH LT	-20 °F (-29 °C) is factory set, range is: -40 to 15 °F (-40 to -9.5 °C)
RH HT	32 °F (0 °C) is factory set, range is: 20 to 55 °F (-6.5 to 13 °C)
HL Sp	85% RH is factory default, range is: 50% RH to 90% RH
Dhu OALK	32 °F (0 °C) is factory default, range is: -40 °F up to 122 °F (-40 °C up to 50 °C)
DehuHyst	5% RH is factory default, range is: 2% RH to 20% RH
RE Sp	20% RH is factory default, range is: 10% RH to 90% RH
RH cal	0% RH is factory default, range is: -15% RH to 15% RH
Display HL	Used as diagnostic

Wiring Diagram



Application: VAP-76x7B-A61
Large Single Zone control

Controlling: Rooftop Unit 2H/2C with humidification

Drawing By: Jimmy El-Hajj
Viconics Electronics Inc.