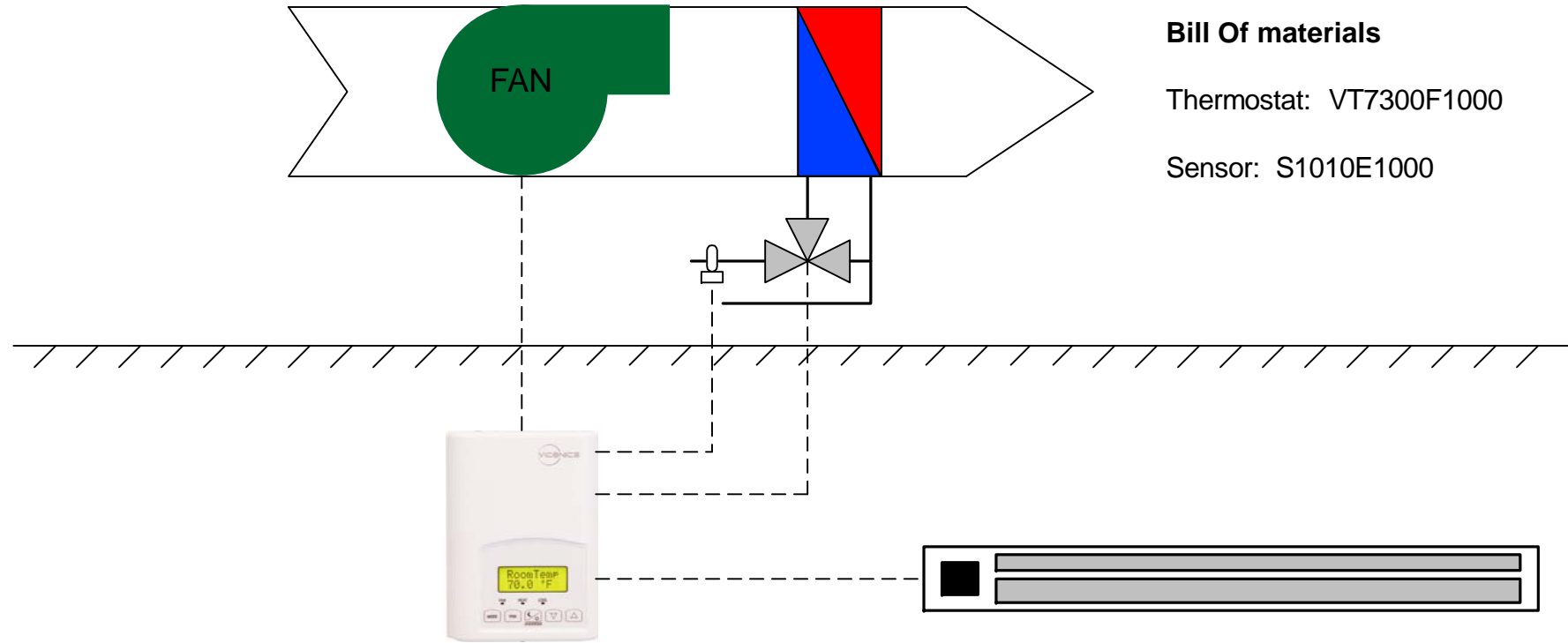




Viconics VT7300F1000 to Control 2-Pipe Fancoil Unit with 3-Speed Fan, Analog Valve, and Electric Reheat.

Options:

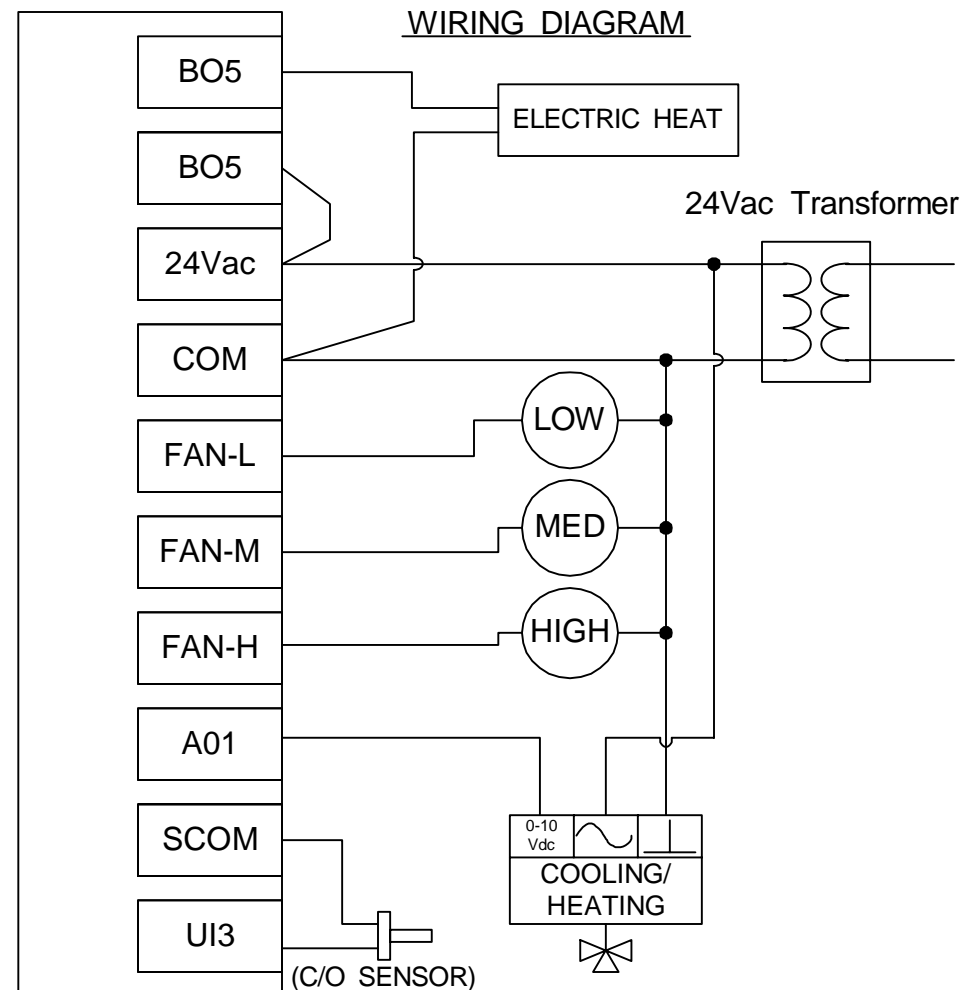
- BACnet and Echelon models available.
- Remote wall mount or duct sensor ready.
- Tri-State Floating outputs available (*different model)
- Can be configured for 4 pipe systems.
- Binary inputs can be configured to control occupancy via door or window contact, remote night setback or to provide alarms for service or filter monitoring.
- Can be configured to single or two speed fan.



> To enter configuration menu press and hold center key for 8 seconds.
 > For full explanation of parameters refer to Viconics manual.

PARAMETER	VALUE
Com Addr	Conditional Parameter--Only Present when connected to Network
BI1	None
BI2	None
UI3	COS
MenuScro	ON
AutoMode	ON
C or F	As per user. Default value = °F
Lockout	As per user. Default value = 0 No lock
Pipe No	2.0
SeqOpera	2 = Cooling with Reheat
Fan Menu	2
Unocc HT	As per user. Default value = 62 °F (17 °C). Range = 40 to 90 °F (4.5 to 32.0 °C)
Unocc CL	As per user. Default value = 80 °F (27 °C). Range = 54 to 100 °F (12 to 37.5 °C)
heat max	As per user. Default value = 90 °F (32 °C). Range = 40 to 90 °F (4.5 to 32.0 °C)
cool min	As per user. Default value = 54 °F (12 °C). Range = 54 to 100 °F (12 to 37.5 °C)
Set Type	Permanent
TOccTime	As per user. Default value 2 hours. Range = 0 to 24 hours
DoorTime	N/A
deadband	As per user. Default value 2.0 °F (1.0 °C). Range = 2, 3, 4 or 5 °F, 1.0 °F increments (1.0 to 2.5 °C, 0.5 °C increments)
cal RS	0 °F or °C
cal RH	0 °F or °C
aux cont	0
FL time	N/A
cph	N/A
RA/DA	As per Valve
Reheat	0 for ON/OFF (4CPH), 1 for PWM (10 second) only if using SSR

WIRING DIAGRAM



Sequence of Operation:

- In **HEATING** mode:
 - Thermostat is in HEAT mode (or heating in AUTO mode) if water temperature is > 78°F
 - Analog valve will modulate to maintain room temperature.
 - If heating coil can not maintain the setpoint the electric reheat will engage.
- In **COOLING** mode:
 - Thermostat is in COOL mode (or cooling in AUTO mode) if water temperature is < 75°F
 - Analog valve will modulate to maintain room temperature
 - If system is in cooling mode (water temperature < 75°F) but there is a demand for heat, electric reheat will engage.
- **Electric Baseboard Sequence:**
 - Electric reheat is controlled via the BO5 contact output either;
 - Using 4 cycles per hour (C.P.H.)
 - PWM on a 10-second time base (for more information see parameter 'Reheat')

Application: VT7300F1000
 2-Pipe Hydronic Heating and Cooling with Electric Reheat and Water Temperature Change Over

Controlling: 2 Pipe Heating and Cooling Coil via Analog Valve with Electric Baseboard Heater

Drawing By: Nicolas Sovran
 Viconics Electronics Inc.