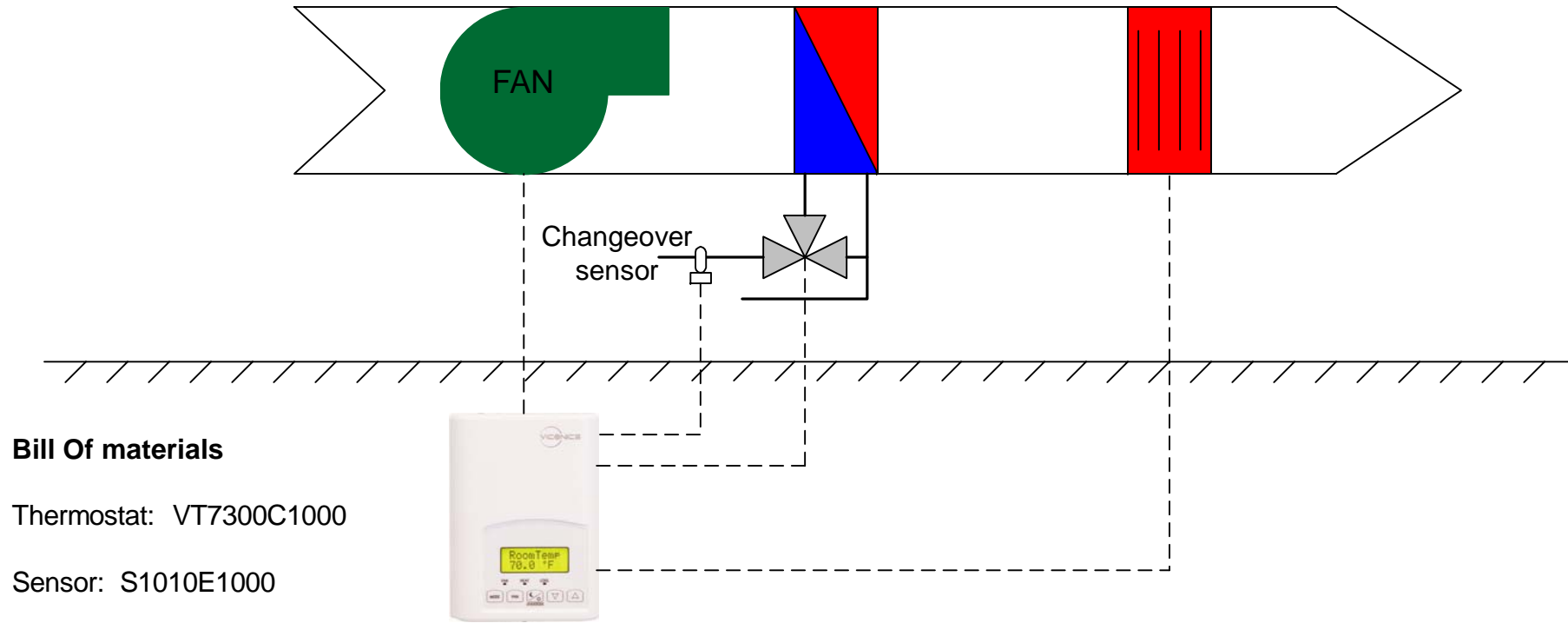




Viconics VT7300C1000 to Control 2-Pipe Fancoil Unit with 3-Speed Fan, Tri-State Floating Valves, and an Electric Duct Heater.

Options:

- BACnet and Echelon models available.
- Remote wall mount or duct sensor ready.
- Analog outputs available (*different model)
- Can be configured for 4 pipe systems.
- Binary inputs can be configured to control occupancy via door or window contact, remote night setback or to provide alarms for service or filter monitoring.



Bill Of materials

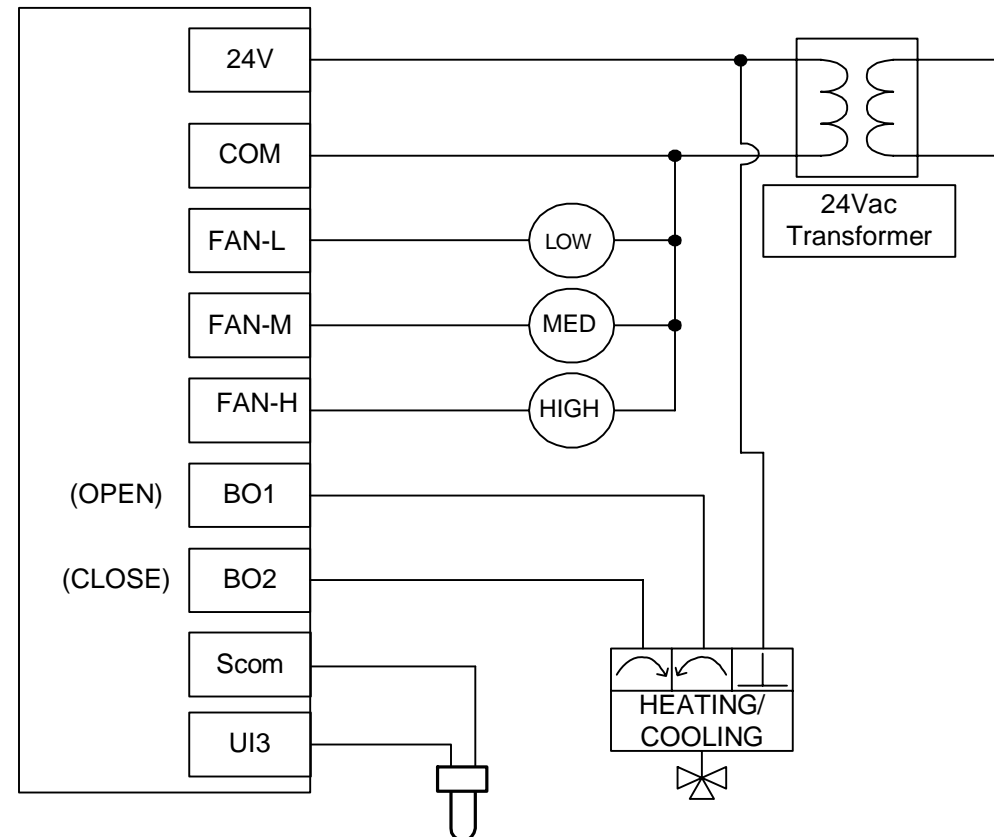
Thermostat: VT7300C1000

Sensor: S1010E1000

- > To enter configuration menu press and hold center key for 8 seconds.
- > For full explanation of parameters refer to Viconics manual.

PARAMETER	VALUE
Com Addr	Conditional Parameter--Only Present when connected to Network
BI1	None
BI2	None
UI3	COS
MenuScro	ON
AutoMode	ON
C or F	As per user. Default value = °F
Lockout	As per user. Default value = 0 No lock
Pipe No	2.0
CntrlTyp	Floating
SeqOpera	2 = Cooling with Reheat
Fan Menu	2
Unocc HT	As per user. Default value = 62 °F (17 °C). Range = 40 to 90 °F (4.5 to 32.0 °C)
Unocc CL	As per user. Default value = 80 °F (27 °C). Range = 54 to 100 °F (12 to 37.5 °C)
heat max	As per user. Default value = 90 °F (32 °C). Range = 40 to 90 °F (4.5 to 32.0 °C)
cool min	As per user. Default value = 54 °F (12 °C). Range = 54 to 100 °F (12 to 37.5 °C)
Set Type	Permanent
TOccTime	As per user. Default value 2 hours. Range = 0 to 24 hours
DoorTime	N/A
deadband	As per user. Default value 2.0 °F (1.0 °C). Range = 2, 3, 4 or 5 °F, 1.0 °F increments (1.0 to 2.5 °C, 0.5 °C increments)
cal RS	0 °F or °C
cal RH	0 °F or °C
aux cont	0
FL time	As per user. Default value = 1.5 minutes. Range 0.5 to 9.0 in 0.5 minutes increments
cph	N/A
Reheat	0 for ON/OFF (4CPH), 1 for PWM (10 second)

WIRING DIAGRAM



Sequence of Operation:

- Thermostat is in HEAT mode (or heating in AUTO mode)
 - If chill water is flowing, the valve will close and electric reheat is activated. If hot water is flowing, the valve will open until heating demand is satisfied. The duct heater will then be activated only if the coil does not satisfy the heating demand.
- Thermostat is in COOL mode (or cooling in AUTO mode)
 - If hot water is flowing, the valve will close. If chill water is flowing, the valve will open until cooling demand is satisfied. The duct heater is not activated in cooling mode.

Application: VT7300C1000

Hydronic Heating and Cooling with changeover and electric reheat.

Controlling: 2 Pipe Heating/Cooling Coil via Tri-State Floating Valve, 3-Speed Fan and electric duct heater

Drawing By: Jimmy El-Hajj
Viconics Electronics Inc.