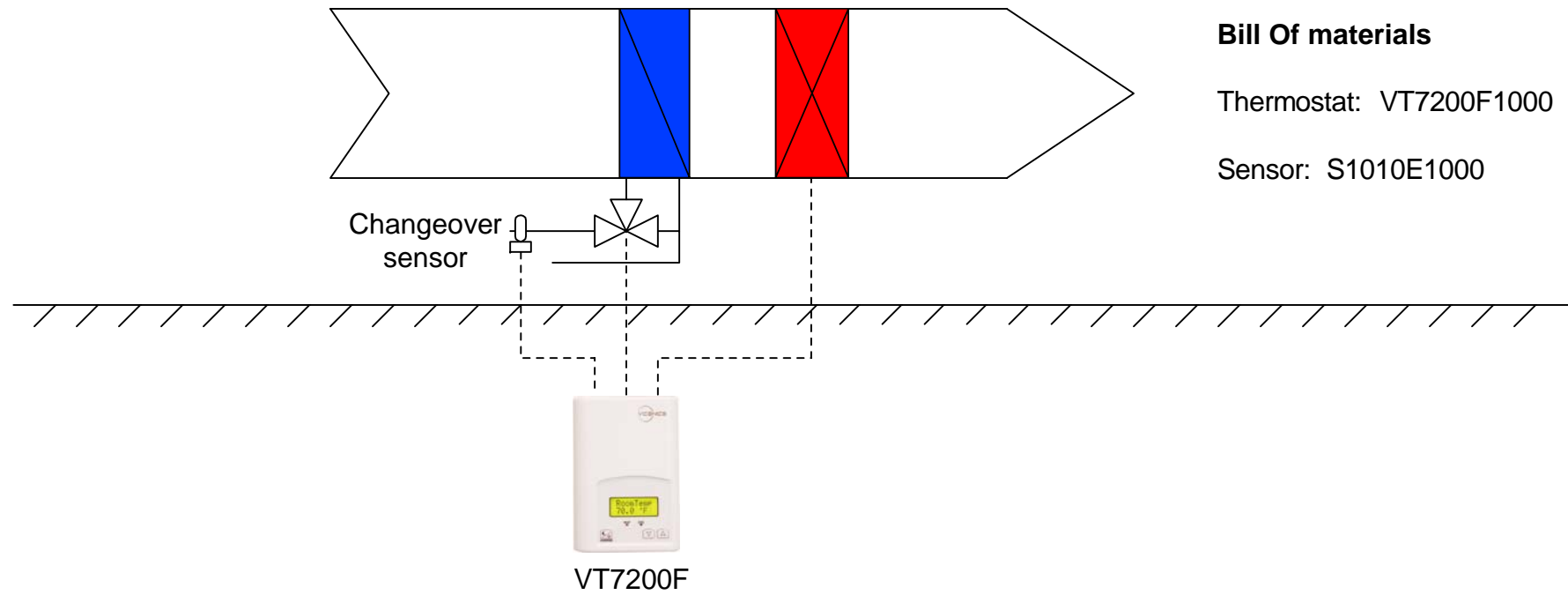




VT7200F1000: Heating/Cooling w/ changeover sensor& Reheat: Analog valve actuator, ON/OFF Duct heater, water sensor for changeover.

Options:

- BACnet and Echelon models available
- Remote wall mount or duct sensor ready
- Floating outputs available (different model)
- Binary inputs can be configured for occupancy via door or window contact, remote night setback or to provide alarms for service or filter monitor



Bill Of materials

Thermostat: VT7200F1000
Sensor: S1010E1000

Sequence of Operation

Occupied Mode:

- Setpoints will revert to those defined by occupied cool and heat.
- The changeover sensor will send the supply air temperature to the thermostat

Unoccupied Mode:

- Setpoints will revert to those defined by unoccupied heat and cool.

Occupied Override Mode:

- The system will revert to occupied mode for the duration determined by the "ToccTime" parameter.

On a call for cool:

- If water's temperature is less than 75F°, valve will open to allow water flow.
- If supply air temperature is higher than 77F°, valve will close.
- Duct heater is always deactivated.

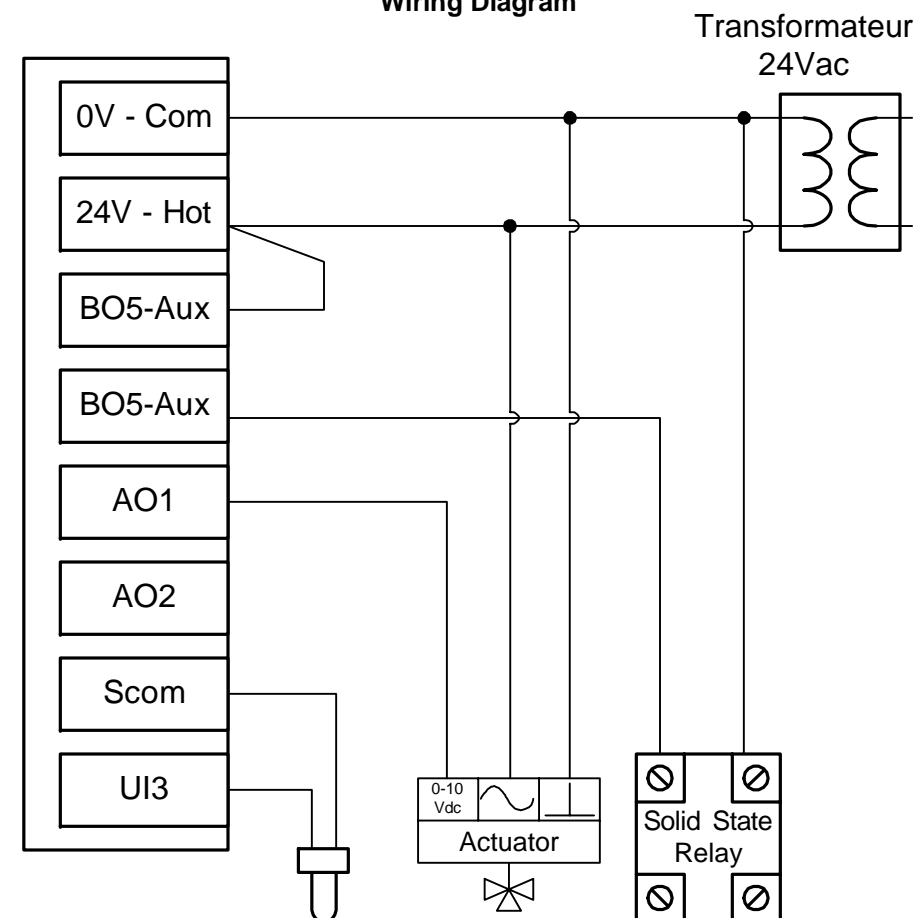
On a call for heat:

- If water temperature is less than 75F°, valve will close and the duct heater will be activated.
- If water temperature is higher than 77F°, valve will open to allow water flow. If the water flow is unable to satisfy the demand, the duct heater is activated.

- To Enter Configuration Menu Press and Hold Menu Key for 8 Seconds
- For full explanation of parameters refer to Viconics manual

User parameter name	Local settings
Cooling and heating setpoints	As per user
Override	As per user, Override or Cancel override
Configuration parameter name	Configuration settings
B11	None
B12	None
UI3	COS
MenuScro	On or Off if scrolling of thermostat status is desired
C or F	°F or °C default value at thermostat power up
Lockout	0 = occupied setpoints and unoccupied override access
Out1Conf	2.0 = access all sequences of operation from 0 to 3
SeqOpera	2 = Cooling with Reheat
Unocc HT	62 °F is factory set, range is: 40 to 90 °F (4.5 to 32.0 °C)
Unocc CL	80 °F is factory set, range is: 54 to 100 °F (12.0 to 37.5 °C)
heat max	90 °F is factory set, range is: 40 to 90 °F (4.5 to 32.0 °C)
cool min	54 °F is factory set, range is: 54 to 100 °F (12.0 to 37.5 °C)
Set Type	Permnet: (permanent) or Temporar: (temporary) setpoints
TOccTime	2 hours is factory set, range is 0 to 24 hours
DoorTime	2 minutes is factory set, range is 1 to 10 minutes (not used)
deadband	2 °F is factory set, range is: 2 to 5 °F
cal RS	Factory set
aux cont	0, used for reheat
FL time	1.5 minutes is factory set, range is 0.5 to 9 minutes
cph	N/A
RA/DA	Reverse Acting (RA) or Direct Acting (DA), depends on actuator
Reheat	1= 10 seconds for Solid state relays (0 = 4 C.P.H. ON/OFF)
UI3 dis	Displays supply air temperature

Wiring Diagram



Application: VT7200F1000
Heating/Cooling w/ changeover sensor and reheat
Controlling: Valve actuator
Duct heater
Drawing By: Jimmy El-Hajj
Viconics Electronics Inc.