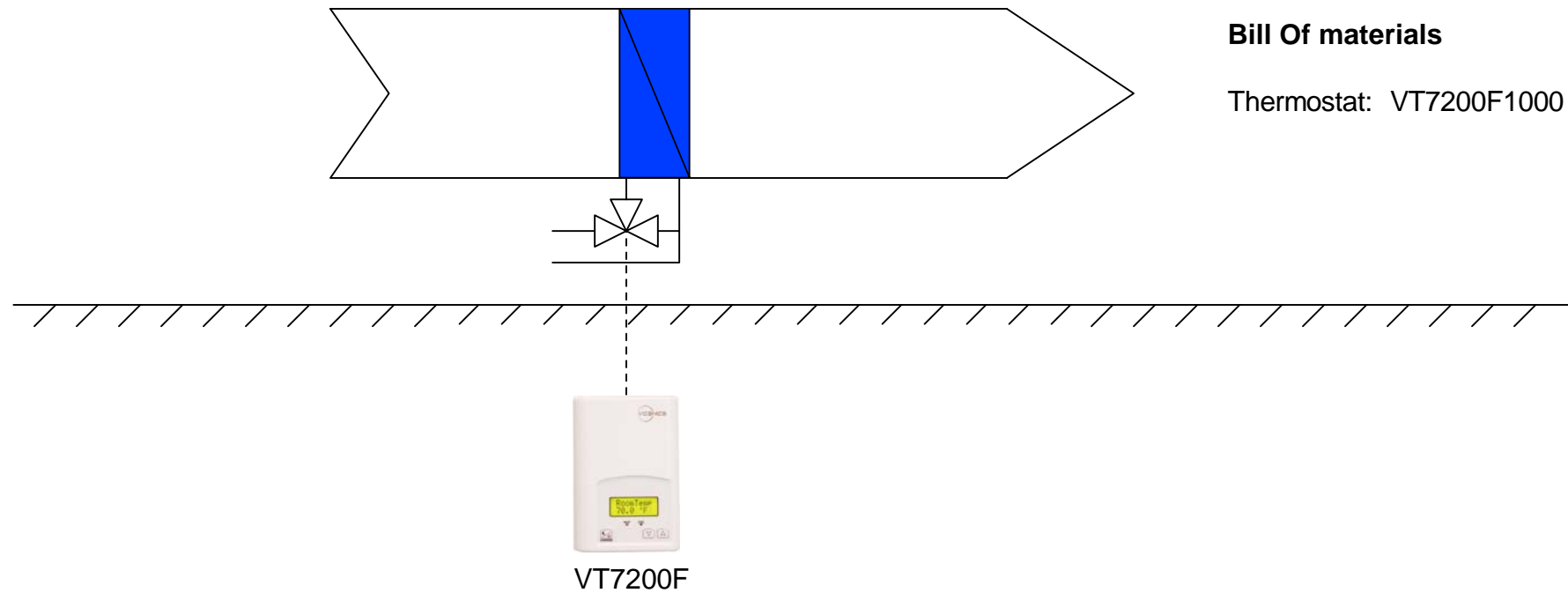




VT7200F1000: Cooling only: Analog valve actuator.

Options:

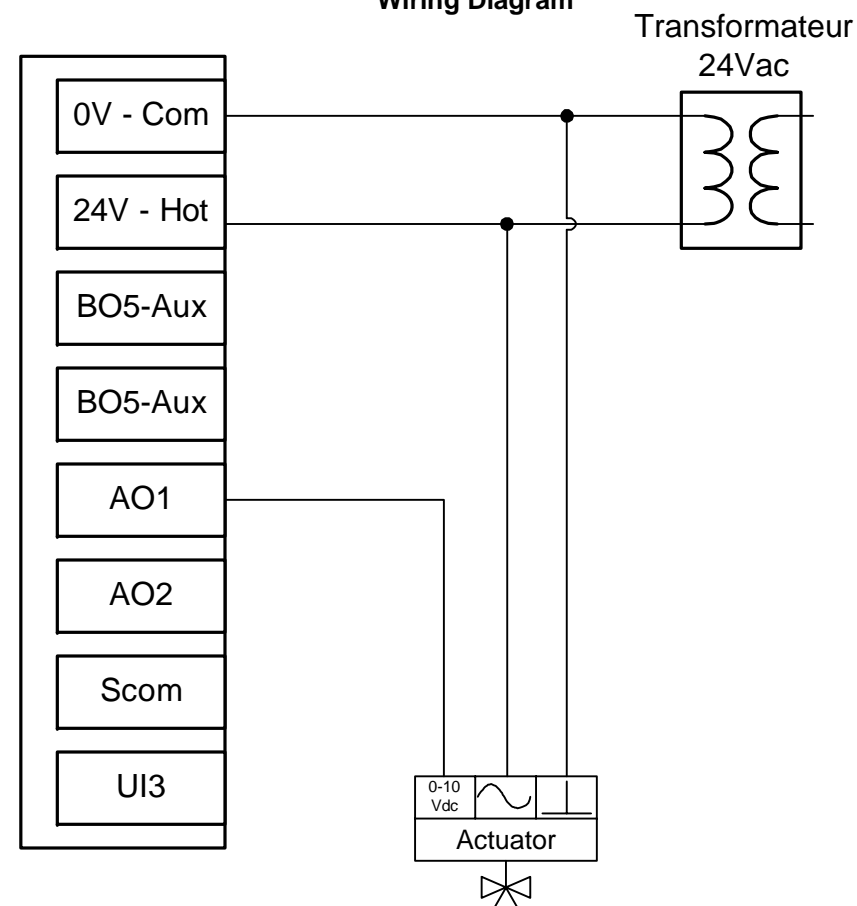
- BACnet and Echelon models available
- Remote wall mount or duct sensor ready
- Floating outputs available (different model)
- Binary inputs can be configured for occupancy via door or window contact, remote night setback or to provide alarms for service or filter monitor
- Auxiliary reheat can be added



- > To Enter Configuration Menu Press and Hold Menu Key for 8 Seconds
- > For full explanation of parameters refer to Viconics manual

User parameter name	Local settings
Cooling and heating setpoints	As per user
Override	As per user, Override or Cancel override
Configuration parameter name	Configuration settings
B1	None
B12	None
UI3	None
MenuScro	On or Off if scrolling of thermostat status is desired
Lockout	0 = occupied setpoints and unoccupied override access
Out1Conf	2.0 = access all sequences of operation from 0 to 3
SeqOpera	0 = Cooling Only
Unocc HT	62 °F is factory set, range is: 40 to 90 °F (4.5 to 32.0 °C)
Unocc CL	80 °F is factory set, range is: 54 to 100 °F (12.0 to 37.5 °C)
heat max	90 °F is factory set, range is: 40 to 90 °F (4.5 to 32.0 °C)
cool min	54 °F is factory set, range is: 54 to 100 °F (12.0 to 37.5 °C)
Set Type	Permanent: (permanent) or Temporar: (temporary) setpoints
TOccTime	2 hours is factory set, range is 0 to 24 hours
DoorTime	2 minutes is factory set, range is 1 to 10 minutes (not used)
deadband	2 °F is factory set, range is: 2 to 5 °F
cal RS	Factory set
aux cont	0, used for reheat
cph	N/A
RA/DA	Reverse Acting (RA) or Direct Acting (DA), depends on actuator
Reheat	0 (default value)
UI3 dis	Displays supply air temperature

Wiring Diagram



Sequence of Operation

Occupied Mode:

- Setpoints will revert to those defined by occupied cool and heat.

Unoccupied Mode:

- Setpoints will revert to those defined by unoccupied heat and cool.

Occupied Override Mode:

- The system will revert to occupied mode for the duration determined by the "ToccTime" parameter.

On a call for cool:

- Valve will open to allow water flow.

On a call for heat:

- Valve will close.

Application: VT7200F1000
Cooling only

Controlling: Valve actuator

Drawing By: Jimmy El-Hajj
Viconics Electronics Inc.