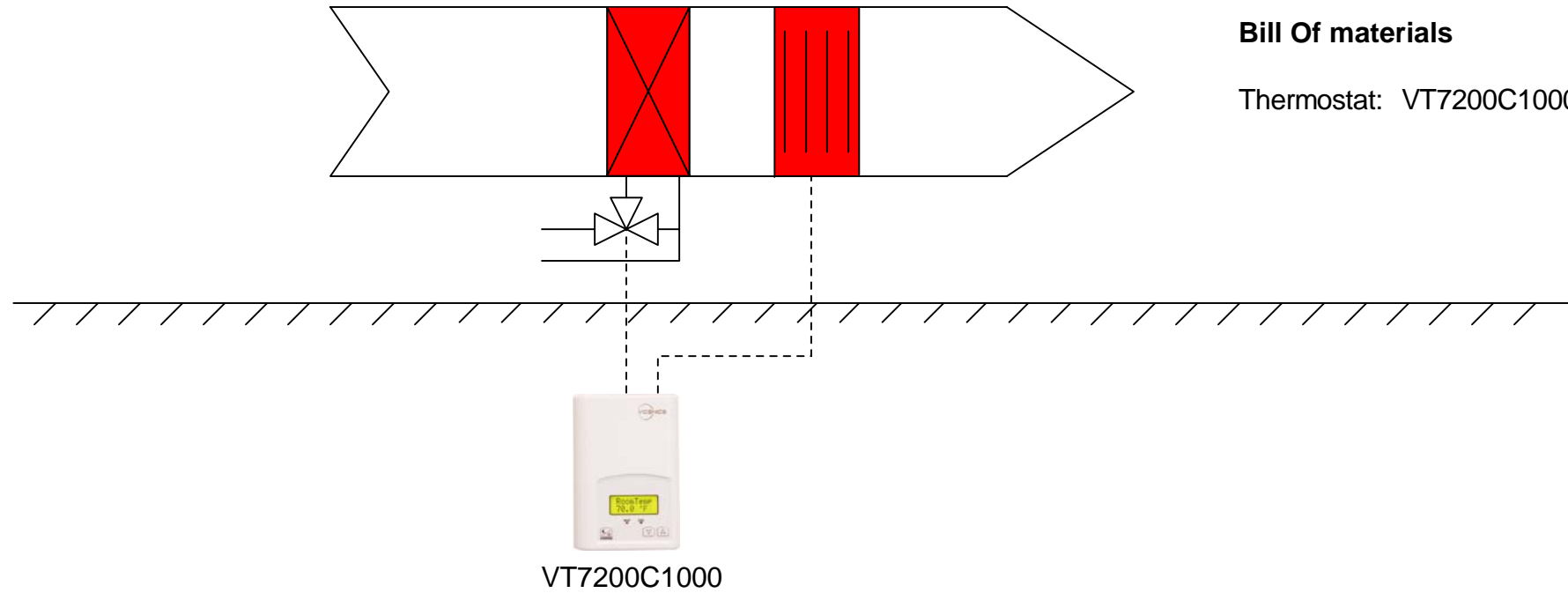




VT7200C1000: Heating with Reheat: Floating valve actuator, ON/OFF Duct heater.

Options:

- BACnet and Echelon models available
- Remote wall mount or duct sensor ready
- Analog 0-10Vdc outputs available (different model)
- Binary inputs can be configured for occupancy via door or window contact, remote night setback or to provide alarms for service or filter monitor



Sequence of Operation

Occupied Mode:

- Setpoints will revert to those defined by occupied cool and heat.

Unoccupied Mode:

- Setpoints will revert to those defined by unoccupied heat and cool.

Occupied Override Mode:

- The system will revert to occupied mode for the duration determined by the "ToccTime" parameter.

On a call for heat:

- Valve will modulate until demand is satisfied. If needed, the reheat will be activated as second stage to reach the setpoint.

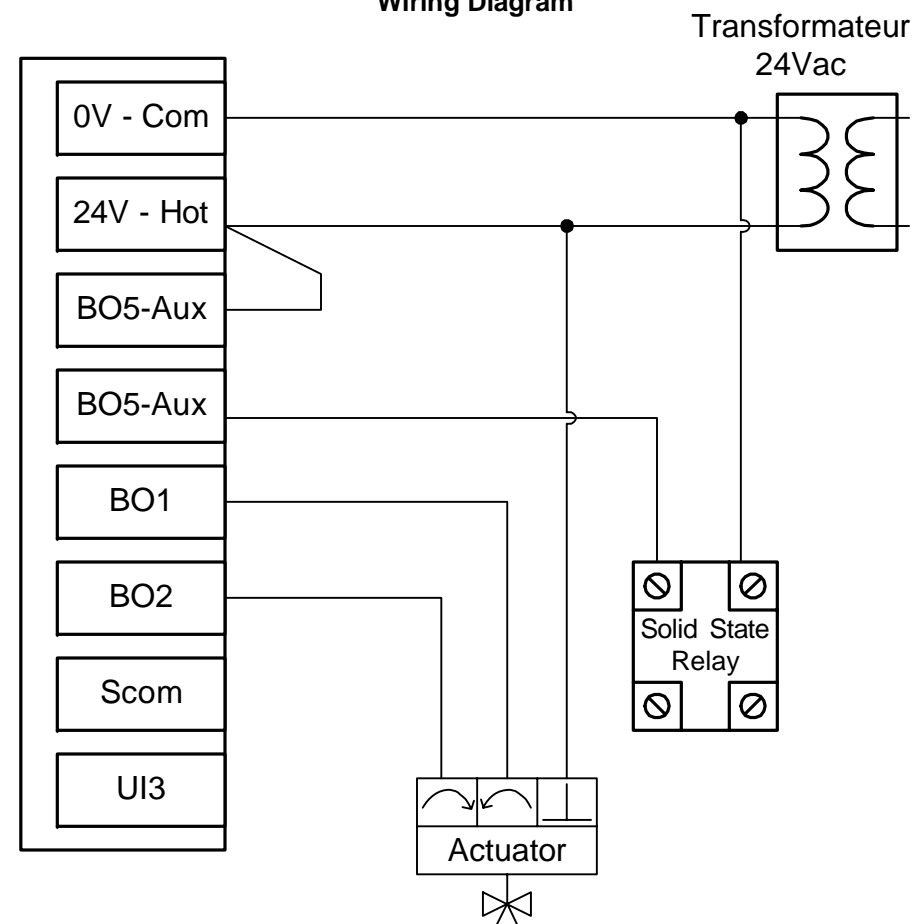
On a call for cool:

- Valve is closed and reheat is not activated.

- To Enter Configuration Menu Press and Hold Menu Key for 8 Seconds
- For full explanation of parameters refer to Viconics manual

User parameter name	Local settings
Cooling and heating setpoints	As per user
Override	As per user, Override or Cancel override
Configuration parameter name	Configuration settings
B11	None
B12	None
UI3	None
MenuScro	On or Off if scrolling of thermostat status is desired
C or F	°F or °C default value at thermostat power up
Lockout	0 = occupied setpoints and unoccupied override access
Out1Conf	2.0 = access all sequences of operation from 0 to 3
CntrlTyp	Floating
SeqOpera	3 = Heating with Reheat
Unocc HT	62 °F is factory set, range is: 40 to 90 °F (4.5 to 32.0 °C)
Unocc CL	80 °F is factory set, range is: 54 to 100 °F (12.0 to 37.5 °C)
heat max	90 °F is factory set, range is: 40 to 90 °F (4.5 to 32.0 °C)
cool min	54 °F is factory set, range is: 54 to 100 °F (12.0 to 37.5 °C)
Set Type	Permanent: (permanent) or Temporar: (temporary) setpoints
TOccTime	2 hours is factory set, range is 0 to 24 hours
DoorTime	2 minutes is factory set, range is 1 to 10 minutes (not used)
deadband	2 °F is factory set, range is: 2 to 5 °F
cal RS	Factory set
aux cont	0, used for reheat
FL time	1.5 minutes is factory set, range is 0.5 to 9 minutes
cph	N/A
Reheat	1= 10 seconds for Solid state relays (0 = 4 C.P.H. ON/OFF)
UI3 dis	Displays supply air temperature

Wiring Diagram



Application: VT7200C1000
Heating with reheat

Controlling: Valve actuator
Duct heater

Drawing By: Jimmy El-Hajj
Viconics Electronics Inc.