



C1012 Electronic Thermostat



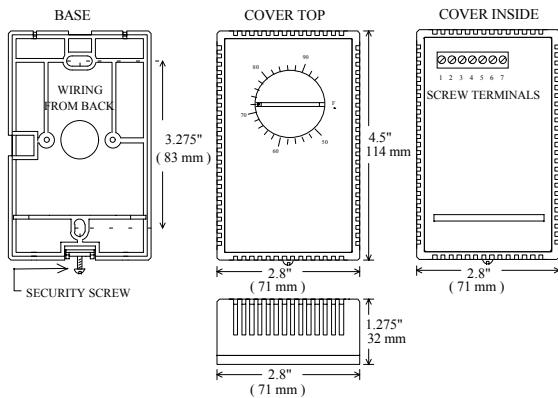
APPLICATIONS

- VAV and by-pass units control with modulating tri-state floating output
- Single stage of auxiliary reheat

ADVANCED DESIGN AND PI CONTROL

Advanced PI control thermostats provides precise temperature control and eliminates wasted energy caused by the typical On / Off cycling in conventional thermostats. Thus the room occupant is able to reduce the thermostat setpoint to the lowest comfortable setting. The result is energy savings ranging from 5% to 10%.

DIMENSIONS



MODULATING TRI-STATE FLOATING OUTPUT

For use with tri-state floating actuator (CW/Off/CCW) having a 1 to 2 minutes timing per 90° of rotation. This is a true multi positions modulating output. It gives performances which is equivalent to more expensive 0 to 10 Vdc type output.

SINGLE STAGE OF AUXILIARY REHEAT

To be used with On/Off 2 position 24 Vac devices like:

- On/Off N.C. electric valves
- Electric duct heater relays
- Electric base board relays

See and study wiring diagrams carefully to wire reheat devices using a separate power source.

COVERS

Factory standard scale is 10°C to 32°C for horizontal mounting. °F & °C scales are available on special order for horizontal or vertical mounting. The thermostat and the terminals are an integral part of the cover. The cover hooks onto the base for easy service and is locked in place using a security screw.

SPECIFICATIONS

- Operating Conditions: 0 °C to 50 °C (32 °F to 122 °F)
- Sensor: Local 47 K NTC thermistor
- Resolution: ± 0.1 °C (± 0.2 °F)
- Control accuracy (calibrated): ± 0.2 °C (± 0.4 °F)
- Ranges: 50 °F to 90 °F Standard (10 °C to 32 °C) Optional
- Outputs: Isolated Triac: 30 Vac at ½ A max.
- Power: 24 VAC -15%, +10% 50/60 Hz; 2 VA

Specifications and equipment are subject to change without prior notice.

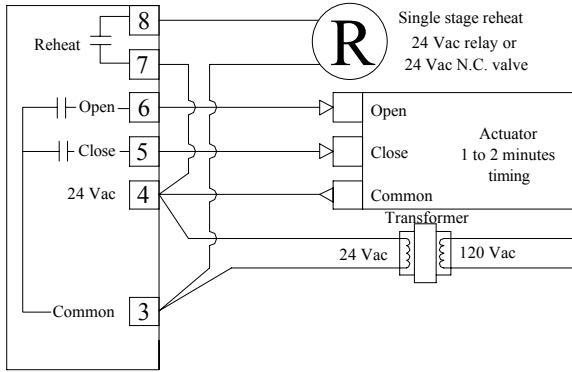
HOW TO ORDER

Thermostat	C1010-02	C1011-02 **	C1012-02	C1013-02 **
Tri-state output in cooling mode	●	●	●	●
Tri-state output reverses to heating mode with change over sensor		●		●
Auxiliary reheat			1 stage	1 stage

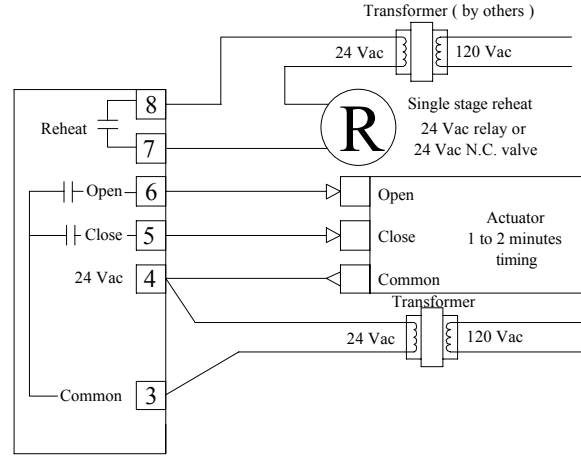
** these packages include the auto change over sensor.

C1012-02

Field wired by installer _____
 Change over is automatic (non adjustable)
 If supply temperature is lower than 24 C: Cooling mode
 If supply temperature is higher than 25.5 C: Heating mode



Optional wiring schematic for applications where a transformer is an integral part of reheat system



C1012-02 SEQUENCE

