



C1010 Electronic Thermostat



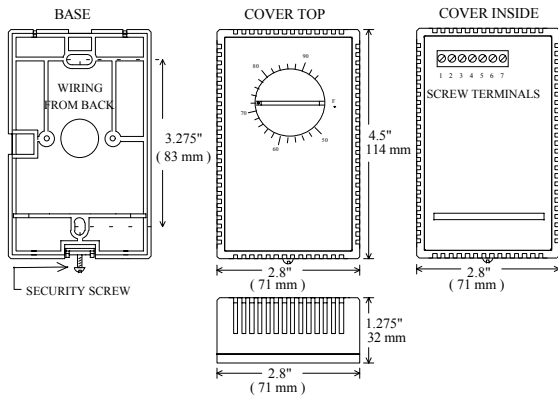
APPLICATIONS

- VAV and by-pass units control with modulating tri-state floating output

ADVANCED DESIGN AND PI CONTROL

Advanced PI control thermostats provides precise temperature control and eliminates wasted energy caused by the typical On / Off cycling in conventional thermostats. Thus the room occupant is able to reduce the thermostat setpoint to the lowest comfortable setting. The result is energy savings ranging from 5% to 10%.

DIMENSIONS



MODULATING TRI-STATE FLOATING OUTPUT

For use with tri-state floating actuator (CW/Off/CCW) having a 1 to 2 minutes timing per 90° of rotation. This is a true multi positions modulating output. It gives performances which is equivalent to more expensive 0 to 10 Vdc type output.

COVERS

Factory standard scale is 10°C to 32°C for horizontal mounting.

°F & °C scales are available on special order for horizontal or vertical mounting. The thermostat and the terminals are an integral part of the cover. The cover hooks onto the base for easy service and is locked in place using a security screw

SPECIFICATIONS

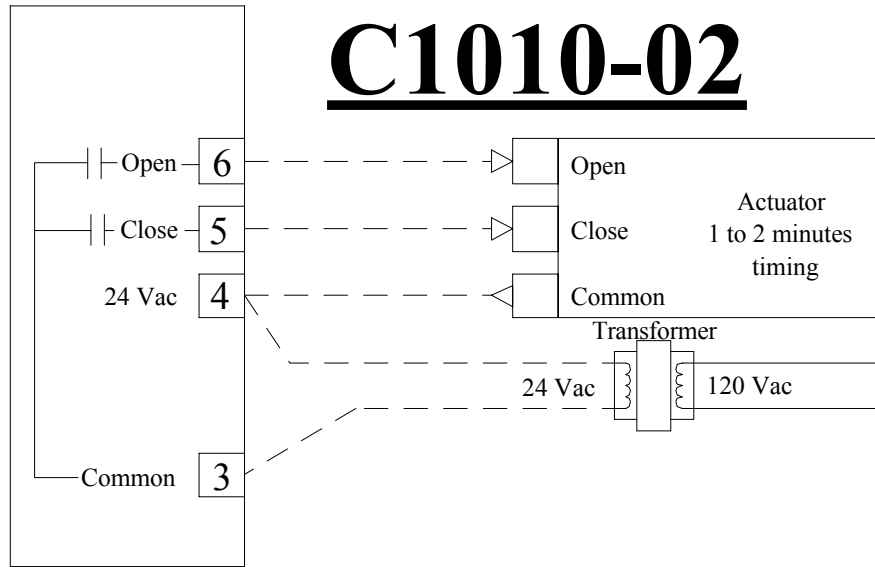
- Operating Conditions: 0 °C to 50 °C (32 °F to 122 °F)
- 0% to 95% R.H. non-condensing
- Sensor: Local 47 K NTC thermistor
- Resolution: ± 0.1 °C (± 0.2 °F)
- Control accuracy (calibrated): ± 0.2 °C (± 0.4 °F)
- Ranges: 50 °F to 90 °F Standard (10 °C to 32 °C) Optional
- Outputs: Isolated Triac: 30 Vac at ½ A max.
- Power: 24 VAC -15%, +10% 50/60 Hz; 2 VA

Specifications and equipment are subject to change without prior notice.

HOW TO ORDER

Thermostat	C1010-02	C1011-02 **	C1012-02	C1013-02 **
Tri-state output in cooling mode	●	●	●	●
Tri-state output reverses to heating mode with change over sensor		●		●
Auxiliary reheat			1 stage	1 stage

** these packages include the auto change over sensor.



C1010-02 SEQUENCE

