

Door/Window Sensor Installation Guide

Procedure to Install Door/Window Motion Sensor



[Installation Guide] Door/Window Sensor

INSTALLATION

This procedure shows you how to install a Door/Window Sensor.

Complete the following steps to correctly install the Door/Window Sensor:

1. Install battery.
NOTE: ensure battery polarity is correct.
NOTE: When batteries are first installed, the sensor automatically goes into pairing mode. Refer to the Room Controller pairing procedure for commissioning.
2. Pull plastic tab
3. Install Sensor Housing.
4. Install Magnet.
5. Install Sensor.

Location

Always consider the following location constraints before installing Door/Window Sensor:

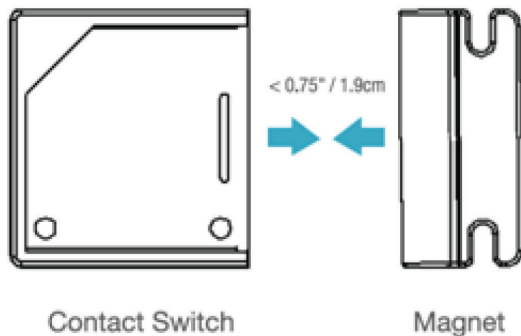
1. Do not install in areas with direct heat source.
2. Do not install near any air discharge grill.
3. Do not install in areas exposed to direct sunlight.
4. Ensure Sensor has sufficient air circulation.
5. Ensure ceiling surface is flat and clean.

Sensor Placement and Orientation

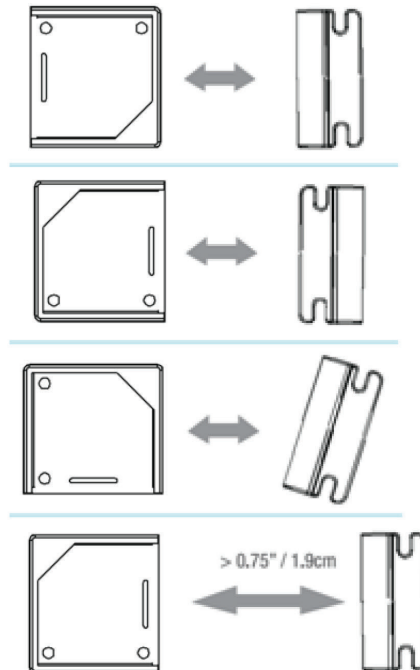
Ensure Door/Window Sensor and Magnet face each other as shown in below illustration. The Magnet and Sensor can be a maximum of 0.75in (1.9cm) apart. If aligned properly, you will hear a 'click' when they approach.

Correct Alignment ✓

The below shows you how to correctly align the Door/Window Sensor.



Incorrect Alignment ✗!



BATTERY REPLACEMENT

Pull tab and slide open top Housing of Door/Window Sensor to access old battery (Figure 1).

NOTE: battery does not come out easily. Use plastic tool to gently pry battery out of unit. Never use any metal tool to perform this procedure as it may cause a short circuit or cause damage to Device.

1. Install one CR2032 battery in Housing top (Figure 2).

NOTE: ensure battery polarity is correct.

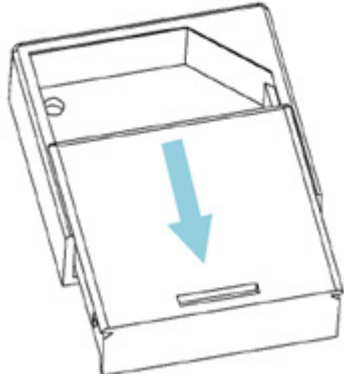


Figure - 1

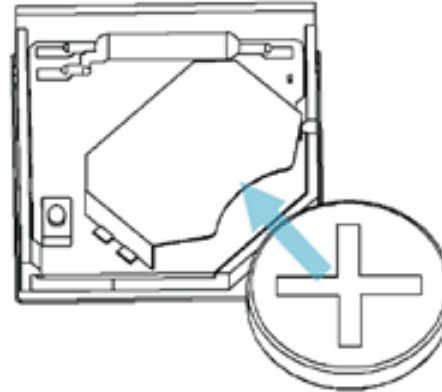


Figure - 2

INSTALL SENSOR HOUSING

This procedure shows you how to install the Door/Window Sensor to the desired location. You can use one of the following two options to install the Door/Window Sensor:

- 2-sided tape
- Screws

Note orientation in illustration.

Option 1

1. Affix 2-sided tape to desired location (Figure 3).
2. **NOTE:** ensure tape is flush with surface and securely affixed to surface.
3. Set Sensor on 2-sided tape and press firmly to secure Sensor in place.
4. Test Sensor. Refer to "Device Function" on page 4.

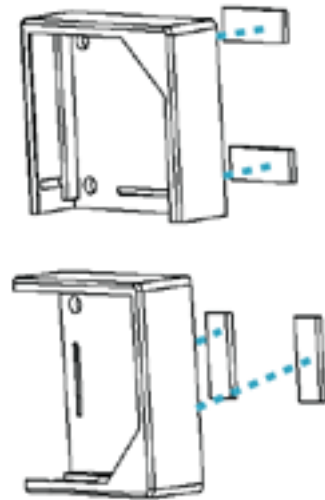


Figure 3

Option 2

1. Using screwdriver, secure Sensor to desired location with two screws (Figure 4).
NOTE: ensure screws are tight and Sensor does not move easily. Do not torque screws.
2. Test Sensor. Refer to "Device Function" on page 4.

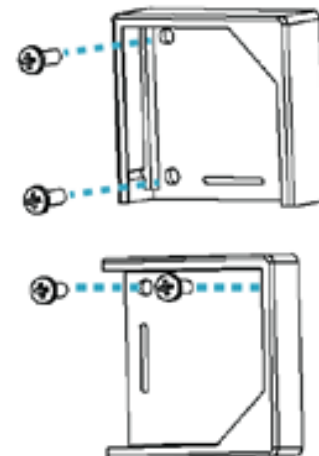


Figure 4



- Always test Device before leaving job site.
- Avoid installing Device directly on metal surfaces. Installation on metal can reduce transmission range.
- Ensure Device is installed in dry location away from water, moisture, and rain. 

INSTALL MAGNET

This procedure shows you how to install the Magnet to the desired location. You can use one of the following two options to install the Magnet:

- 2-sided tape
- Screws

Install Magnet in the proper orientation using 2-sided tape or screws. The Magnet must be within 0.75in (1.9cm) of the Sensor. If using 2-sided tape, the Magnet's tab can be removed by snapping the screw tab along the scored line (Figure 1).

Option 1

1. Affix 2-sided tape to desired location.
NOTE: ensure tape is flush with surface and securely affixed to surface.
2. Set Magnet on 2-sided tape and press firmly to secure Magnet in place.

Option 2

1. Using screwdriver, secure Magnet to desired location with two screws.
NOTE: Ensure screws are tight and Sensor does not move easily. Do not torque screws.

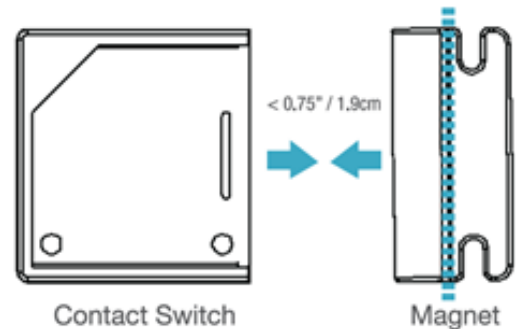
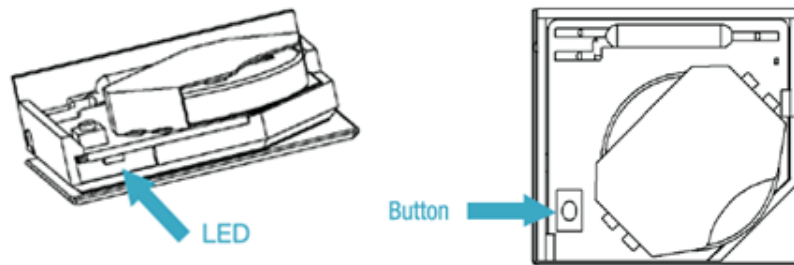


Figure 1

DEVICE FUNCTION



Function and LED Indicators				
BUTTON	LED	ACTION	LED	DESCRIPTION
2 times	●● GG	Network Status	●●● GGG	Joined
			●●● RRR	Not Joined
			●●● YYY	Re-Join in Process
4 Times	●●●● GGGG	Network Join	●●●● YRY	Searching for Network
			●●●● YGY	Device Being Configured
			●●●● GGG	Device Joined
			●●●● RRR	Device Failed to Join
8 Times	●●●●●●●● GGGGGGGG	Forced Re-Join	●●●● YYY	Re-Join, Searching for Parent
10 Times	●●●●●●●●●● GGGGGGGGGG	Network leave and join a new Network	●●●● RRR	Leave if Joined
			●●●●●●●● GGGGGG	Defaults Restored
G = Green Y = Yellow R = Red		No Action	● Y	Wrong Button Press
		Power Up	●●●●●●●● RRYGGG	Device Busy