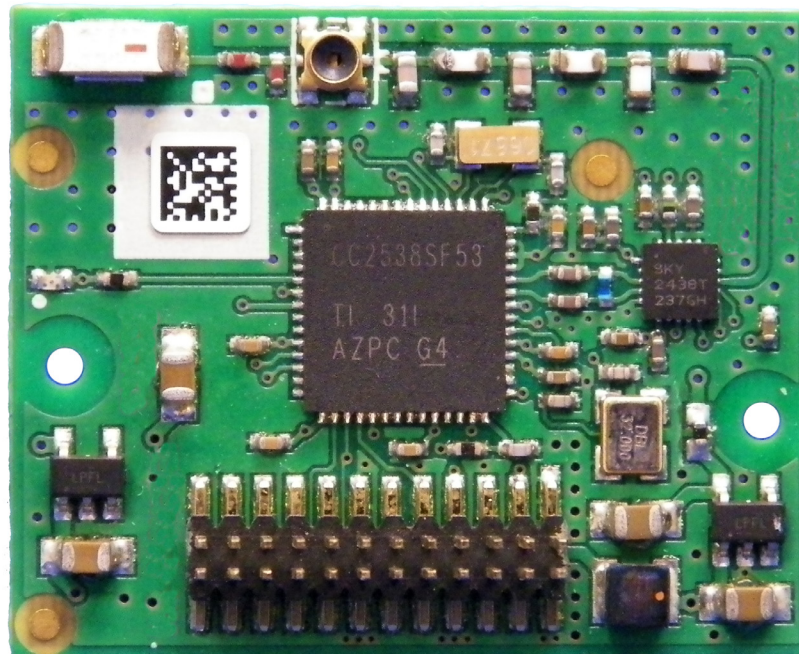


# ZigBee Pro Module Installation Guide

VT8000 Series Room Controllers

Optional ZigBee Pro Module (VCM8000V5000P)



## ZIGBEE PRO MODULE INSTALLATION

### Installation

1. Remove security screw (if any) on bottom of Room Controller cover.
2. Open unit by pulling on bottom side of Room Controller (Figure 1).
3. Carefully remove Room Controller from its base.
4. Locate gap in upper-right corner of Room Controllers Motherboard.
5. Align connector pins on ZigBee Pro module with holes on Motherboard (Figure 2).

**NOTE:** Ensure alignment of pins is correct so as to not damage ZigBee Pro module.

6. Gently press ZigBee Pro module into Room Controllers Motherboard until it fits snugly in place.

**NOTE:** Do not press too hard to avoid damage to ZigBee Pro module.

7. Gently align cover to top of base and snap in place from bottom (Figure 3).
8. Install security screw (if any).

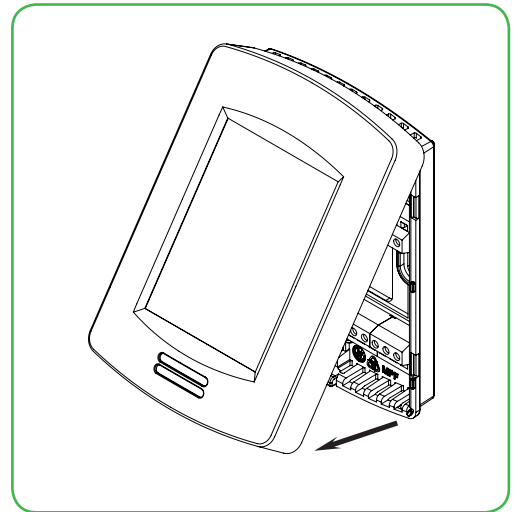


Figure-1

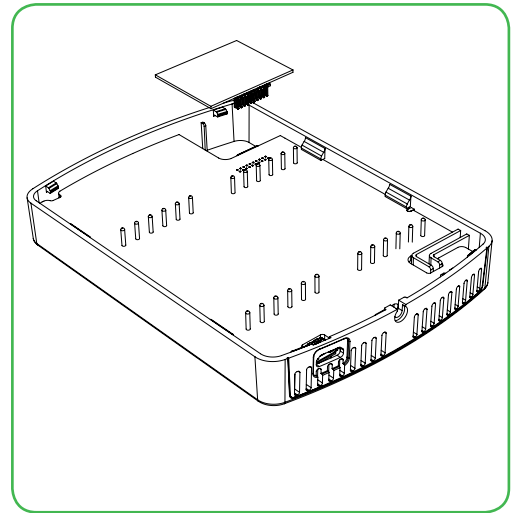


Figure-2

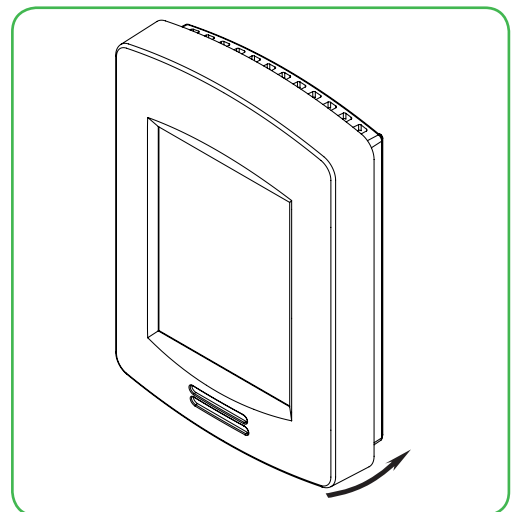


Figure-3

# Quick Setup

The quick set-up shows how to pair a ZigBee sensor with a Room Controller. It assumes that all the back-end configuration of the stand alone Room Controller acting as coordinator or the Multi-Purpose Manager (MPM) coordinator for the ZigBee network is complete. It assumes the User is familiar with the Permit Join function and the Wireless Ecosystem screen functions.

## PROCEDURE

1. Set Permit Join on Room Controller (or networked MPM coordinator if used) to On.
2. Go to first unused Zone screen in Wireless Ecosystem section of Room Controller's interface.
3. Insert battery or remove pull tab (for contact sensors) to activate ZigBee sensor.
4. Verify sensor has joined network and Paired field status reads Yes on Zone screen.
5. Set the Set function to parameter.
6. Set Permit Join on Room Controller (or networked MPM coordinator if used) to Off.
7. Do step 7 for door or window contact sensors. Otherwise go to step 8.
  - a. Go to first screen in Configuration section of interface.
  - b. For window sensor, set UI 16 to Window.
  - c. For door sensor, set UI 17 to Door Dry.
8. Physically install sensor.

## TROUBLESHOOTING

If the short procedure described here is insufficient or an MPM or Room Controller needs to be configured, refer to the VT8000 Room Controllers ZigBee Pro Wireless Integration Guide available at [www.viconics.com](http://www.viconics.com).