

# Mixed Voltage Fan Coil Package

Installation and Application Guide for Mixed Voltage Fan Coil  
Fan Control for Mixed Voltages with 24VAC Transformer



VC1300E5000  
RPP 110/130V 3 Spd  
FCIB 1-Pk



VC2300E5000  
RPP 220/240V 3 Spd  
FCIB 1-Pk



# Overview

This manual shows you how to install the VC1300/VC2300 and shows a typical application for the unit.

## FEATURES

The Transformer has the following features:

- LED indication of relay status
- 120 VAC or 230 VAC fused and 24 VAC thermal fuse.
- Captive screw for enclosure cover.

## Technical Data

	VC1300E5000	VC2300E5000
Number of outputs	3 on/off outputs	3 on/off outputs
Power supply	110 to 130 VAC 1 phase 50/60Hz	220 to 240 VAC 1 phase 50/60Hz
Contacts ratings	Resistive: 7 Amp / 1680 W ; Motor and or compressor: ¼ Hp / 10 LRA / 2.5 FLA approved for 30,000 operations at 240 VAC	
24VAC low voltage power output	0.5A, 12 VA max	
Electrical connection	0.8 mm <sup>2</sup> [18 AWG] minimum	
Operating temperature	0°C to 50°C [32°F to 122°F]	
Storage and transport temperature	-30°C to 50°C [-22°F to 122°F]	
Relative humidity	5 to 95 % non condensing	
Weight	400 g [0.9 lb]	
Metal enclosure	NEMA2	



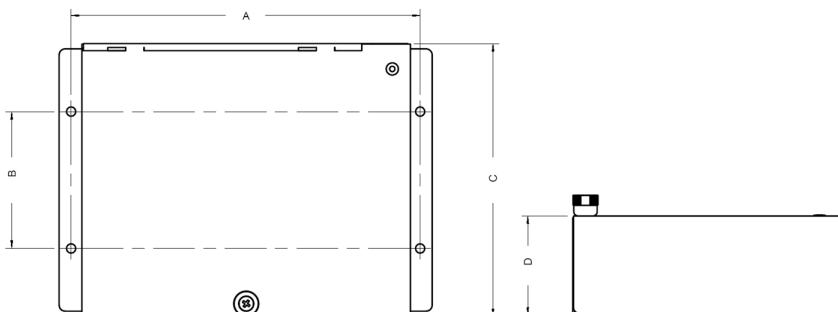
**Risk of electric shock.** Disconnect power supply before connection and/or servicing.



Installation should be done by skilled and qualified technician. Observe local regulations concerning provision of electrical installation. Install unit in electrical compartment.

## Dimensions

The dimensions for the Transformer are as follows:



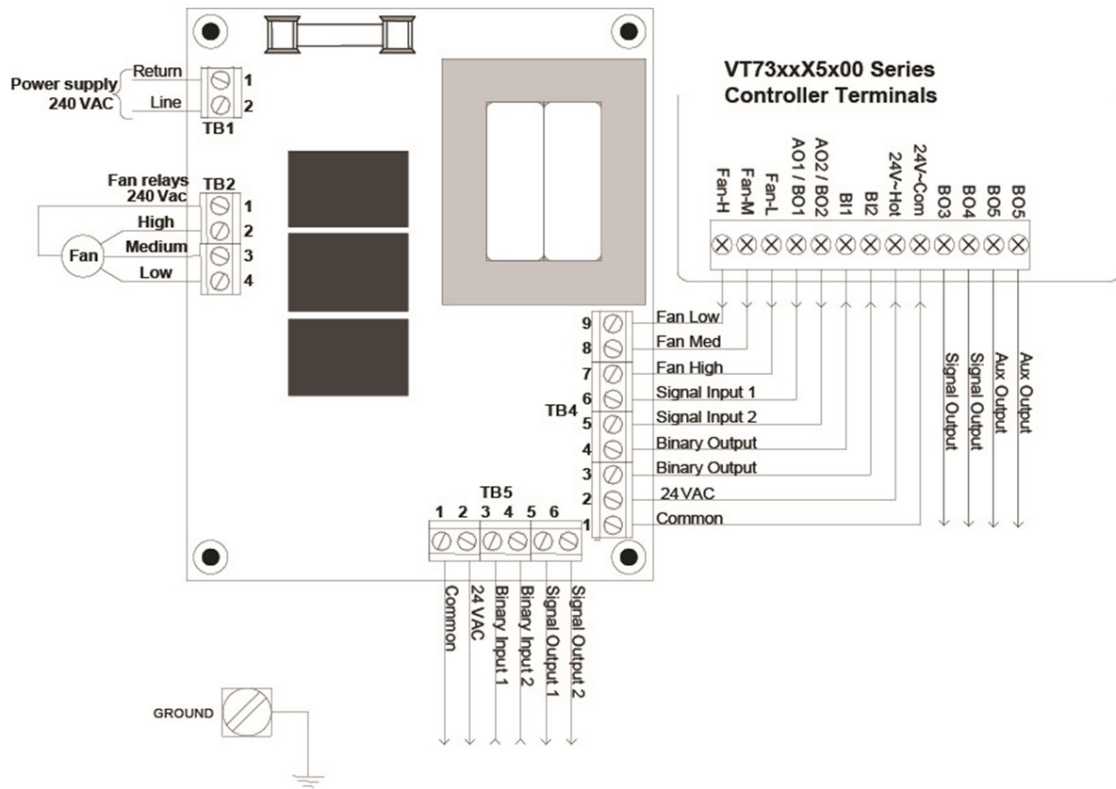
Dimension	Imperial (in)	Metric (mm)
<b>A</b>	7 3/16	182.56
<b>B</b>	2 13/16	71.44
<b>C</b>	5 19/32	142.08
<b>D</b>	2 1/32	51.59
<b>Holes Dia.</b>	0.188	4.77



Class 2

# Typical Application

The following shows a typical application for the unit.

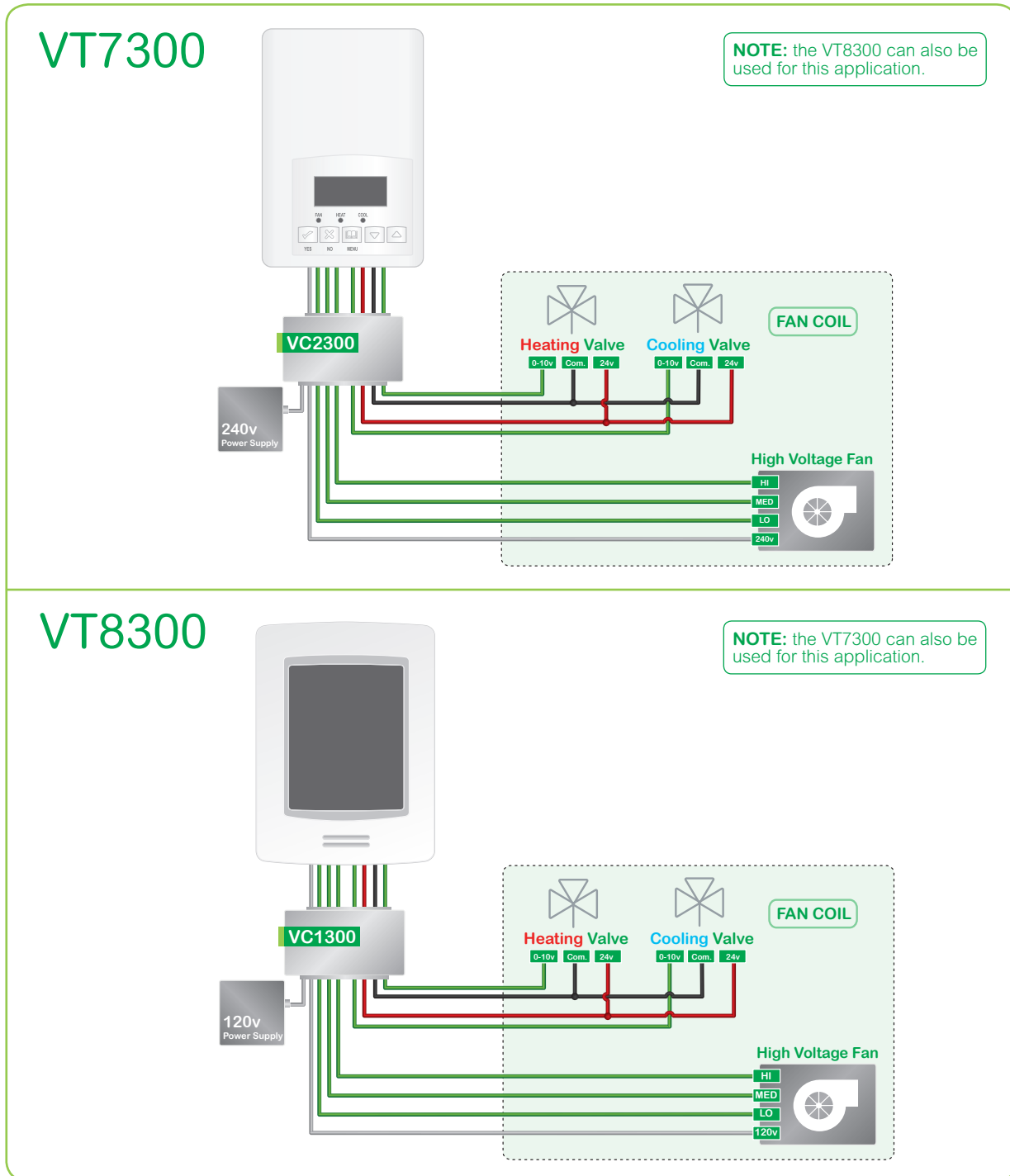


Refer to Mixed Voltage Fan-Coil Application Package for details for how Application can be applied to a mixed voltage environment.

# Mixed Voltage Application

In combination with the VT7300/VT8300 Series Room Controllers, the VC1300 and VC2300 allow control of a fan-coil requiring mixed voltage for the following:

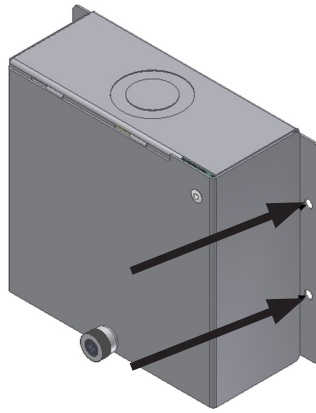
- line voltage for the 3-speed fan control (VC1300 is 120V unit and VC2300 is 220/240V unit)
- low voltage for the valve control



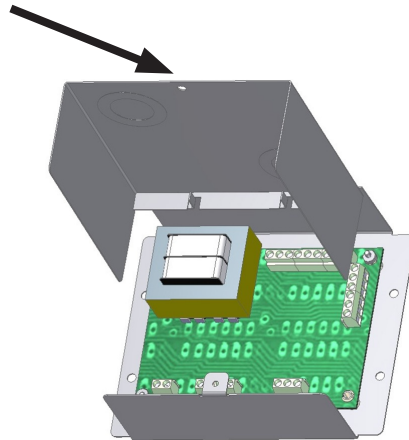
# Installation

This procedure shows you how to install the Transformer.

1. Secure unit to wall or ventilation unit with four screws. Do not torque.  
**NOTE:** screws not included with unit.



2. Remove one screw from hinged cover to access contact panel.



3. Secure electrical wiring to contact board according to below table.

### Terminal Description

Terminals TB1 (Power Supply)
1- Neutral
2- Line

Terminals TB2 (Fan - Line voltage)
1- Neutral
2- Fan Speed High
3- Fan Speed Med
4- Fan Speed Low

Terminals TB4 (From Controller)
1- Common
2- 24 VAC Output
3- Binary Output 1
4- Binary Output 2
5- Valve Signal Input 1
6- Valve Signal Input 2
7- Fan Speed High
8- Fan Speed Med
9- Fan Speed Low

Terminals TB5 (Input / Output)
1- Common
2- 24 VAC Output
3- Binary Input 1
4- Binary Input 2
5- Valve Signal Output 1
6- Valve Signal Output 2

**NOTE:** THE CONTACT CONVERTER MUST BE CONNECTED TO EARTH WITH AID OF GROUND LUG LOCATED ON METAL BASE.

4. Close hinged cover and secure with one screw. Do not torque.

### RECYCLING



Check with your local government for instructions on disposal of this product.